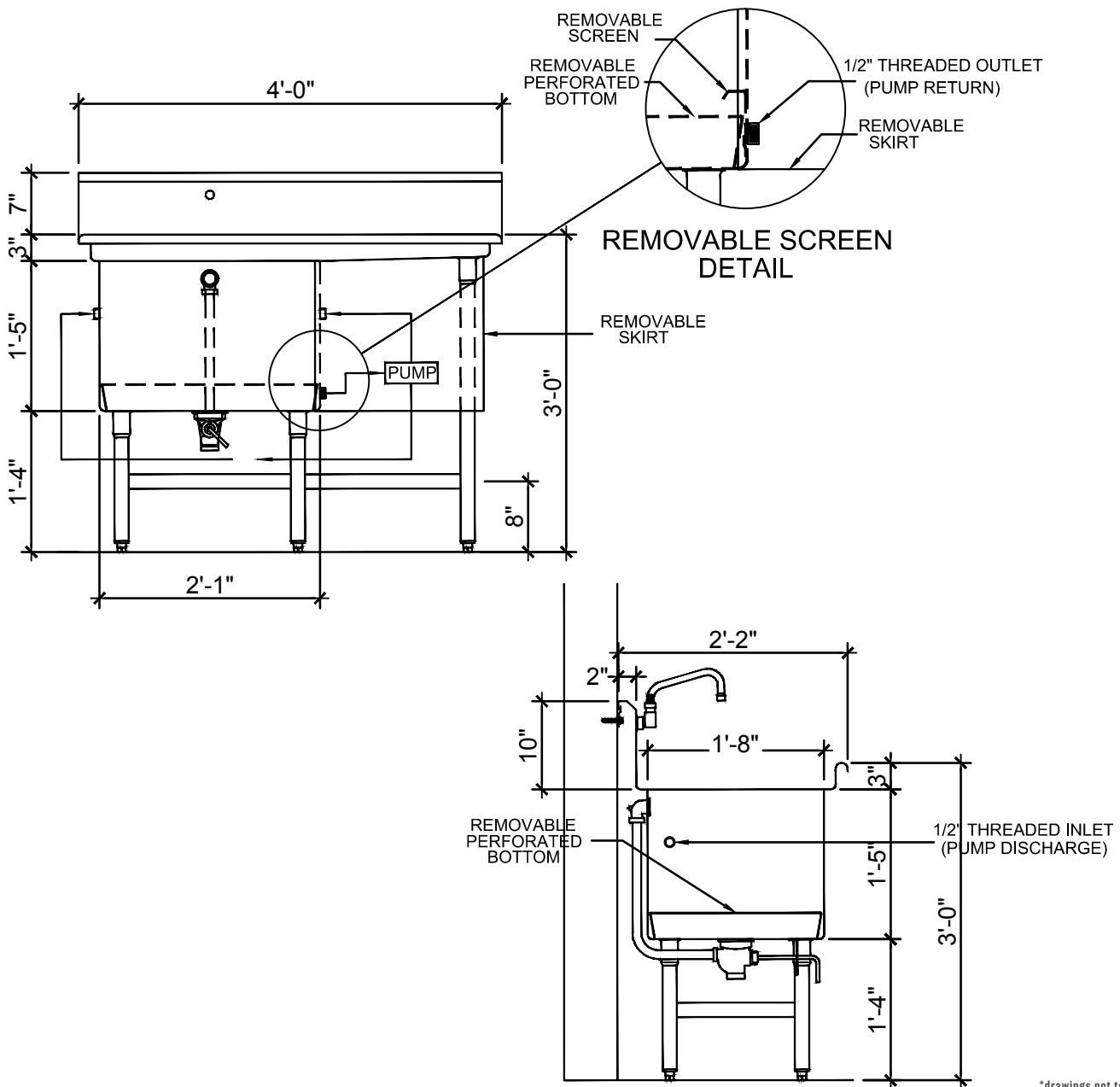




# STONE COLD SOLUTIONS

LASTING GREEN SOLUTIONS FOR THE FOOD SERVICE INDUSTRY

- 2 year standard warranty
- Defrost up to 10 times faster than traditional sinks
- Uses a fraction of the water normally needed
- Auto fill and recirculation systems
- Simple to operate, no training needed!
- GFI outlet required
- 3/8" compression cold water connection
- 110VAC / 220 watts / 2 amps



\*drawings not to scale

DEFROST SINK