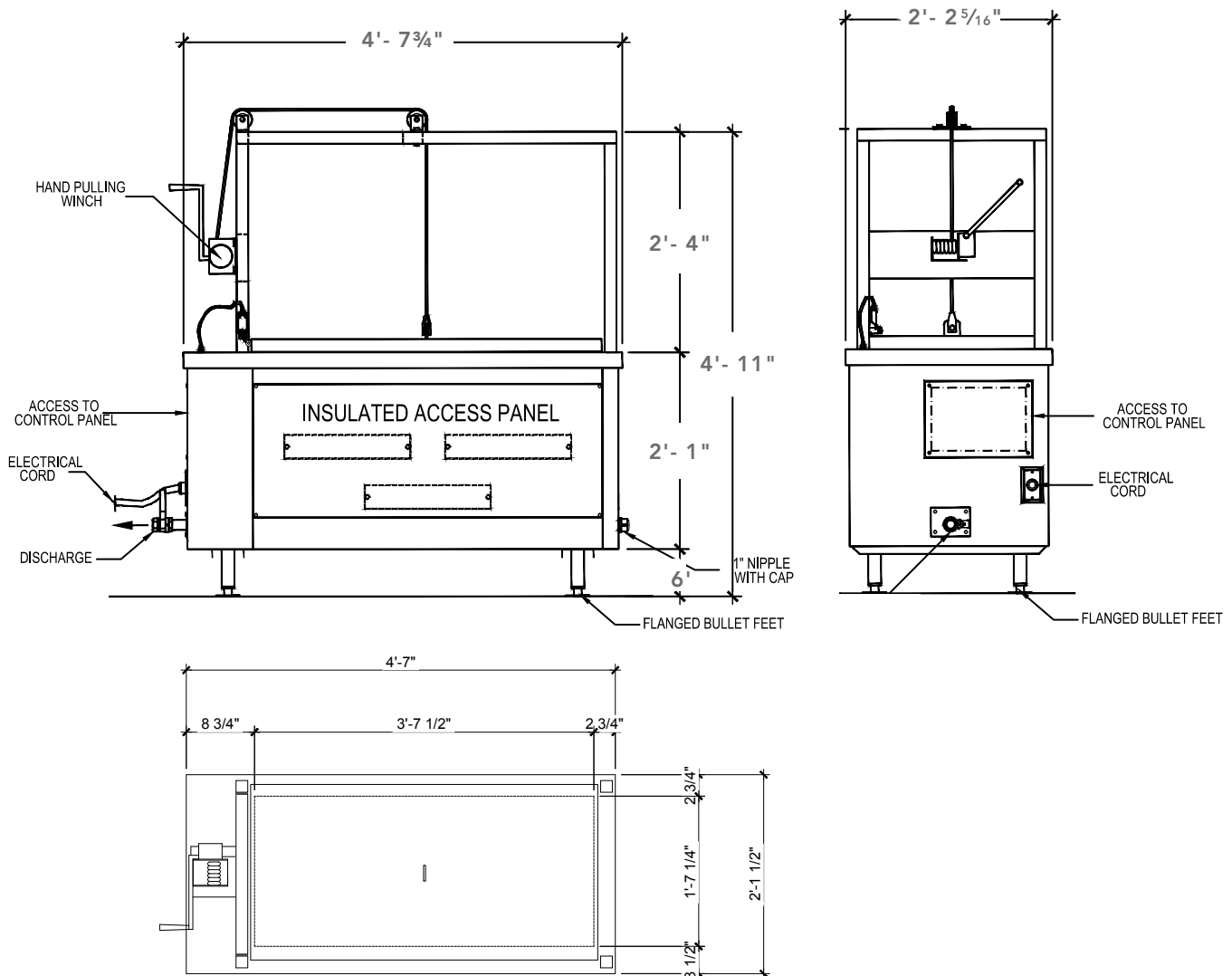




STONE COLD SOLUTIONS

LASTING GREEN SOLUTIONS FOR THE FOOD SERVICE INDUSTRY

- 2 year standard warranty
- Standard 1" NPT drain
- 1400 lb capacity winch for effortless lifting
- Designed for SAFE single operator use-- the safest FOG Tank on the market!
- Removes fats, oils, greases and carbon build-up
- Cleans all metals including aluminum (pots, sheet pans, fry baskets, oven racks, etc)
- Saves approximately 750,000 gallons of water per year, 1,250 hours of labor per year, 34,000 KWH of energy per year
- Quietly soaks kitchenware at 185°F in a biodegradable solution
- Liquid solution is biodegradable Tiger Carbon Remover Powder and water; solution is changed out every 4 weeks
- Tiger Carbon Remover Powder is safe for people, equipment and the environment
- 110VAC / 1800 watts / 16.5 amps



*drawings not to scale

SCRUB TANK 80 GALLON