



STONE COLD SOLUTIONS

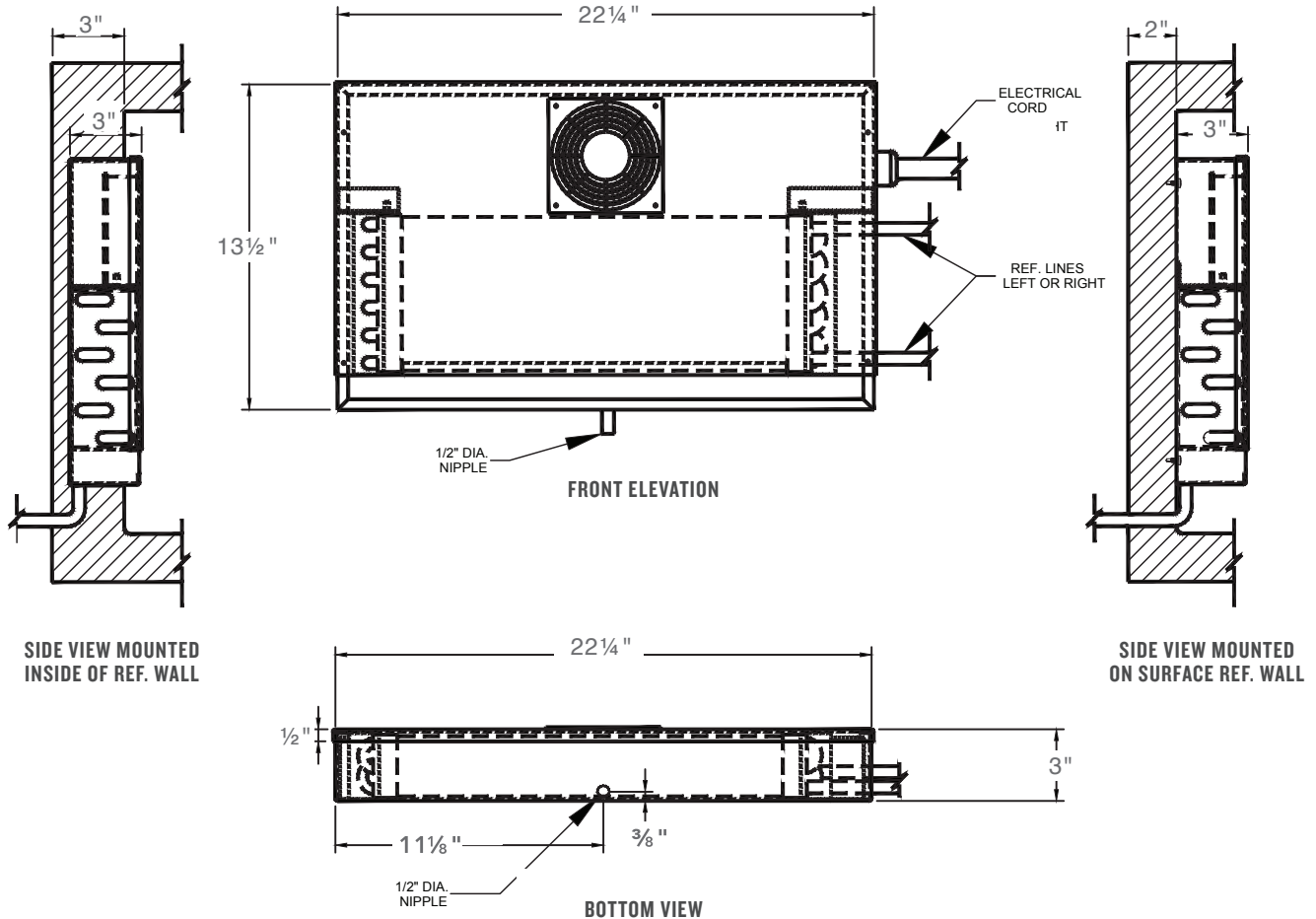
LASTING GREEN SOLUTIONS FOR THE FOOD SERVICE INDUSTRY

CONFORMS TO
UL STD 1995



- 5 year standard warranty
- 1,800 BTU/hr
- Low energy, high output dc brushless fan.
- Uses a fraction of the energy of competitor's product
- Durable stainless steel box
- Patent pending insulated caps protect fragile copper tubing
- All coils are coated to guard against food acids and other environmental factors
- Compatible with 404A or Glycol systems
- Left, right and rear connections for refrigerant and electrical stub ins.
- Surface mount or countersunk into refrigerated base
- 110VAC / 220VAC / 30 watts / .2 amps

REFRIGERATION COIL 1800 BTU



*drawings not to scale